



Installing Roosebeck™ Rosettes into Roosebeck™ Psaltery and Hammered Dulcimers

Materials

Twist Ties, or String
Utility Knife, the Blade **ONLY**

Preparation

Read the suggestions completely. Make sure you have plenty of room.

If you have purchased the correct Roosebeck™ Rosette, it is designed to fit the existing sound-hole of your Roosebeck™ Psaltery or Roosebeck™ Hammered Dulcimer. Place a clean soft cloth, on top of a table or secure flat surface. Place your instrument on the cloth. Assemble your materials.

Getting to the Rosette

If you are comfortable doing so, you can leave the strings tuned and work in the space between the soundboard and the strings. If you want more room, loosen the strings which pass over the rosette and push them to the sides. Use a twist-tie to secure them, out of your way, to the other strings. Or remove them completely.

Removing the Old Rosette

The Roosebeck™ Rosette is held in place by a rubber O-ring exerting pressure on the underside of the soundboard. To remove

the old Roosebeck™ Rosette, slide the thin edge of a utility knife blade under the edge of the rosette. Keep the knife blade parallel with the surface of the soundboard, to avoid gouging or scratching the instrument. Removing the blade from the utility knife, reduced the likelihood of gouging the soundboard.

Gently pry, or lift, the rosette edge a little at a time working around the outer edge of the rosette. Take your time and work slowly. The Rosette will lift a little at a time until it pops free.

Prepare the Rosette

Position the new Rosette over the sound-hole. With the tip of your index finger or thumb, **GENTLY** press down on the outer edge of the rosette, working around the perimeter of the rosette. The rosette will slowly decent in the sound-hole until it is secure. Do not try to push the Rosette in all at once. **NEVER** push on the center, design area, of the Rosette.

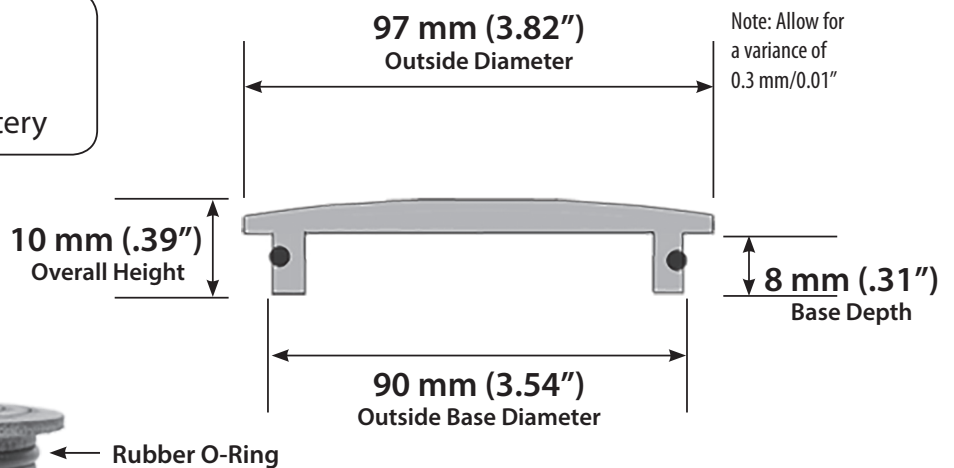
Retune your Strings, and Enjoy!

If you have another brand of instrument you may have to modify the sound hole. For suggestions to install Roosebeck™ Rosettes into non-Roosebeck™ instruments, just contact us: info@Roosebeck.com

Dimensions for

RPSBR

Rosette for Baritone Psaltery



Rosettes are FRAGILE, Handle with care.



EnSoul
MUSIC DESIGNS

www.ensoulmusic.com

© Copyright 2017. Mid-East Mfg. Inc.
RPSBR Rosette